

TECE
close to you

COMPACT AND WATER-SAVING

The Compact cistern from TECE –
Ideal dimensions for wall-mounting





Ecological



Water-saving

GREEN BUILDING: EVERY DROP COUNTS

The Compact cistern is designed to save water. Its dual-flush system, which has proven itself over many years, operates reliably and allows cost-effective and ecological handling of the precious resource that is water.

» Saving water is an important ecological and economical consideration. When it comes to technology, quality and safety are what matter to me. Therefore I rely on German engineering.«



GERMAN QUALITY
made for you

- 1 Standard cistern dimensions
- 2 Compact cistern

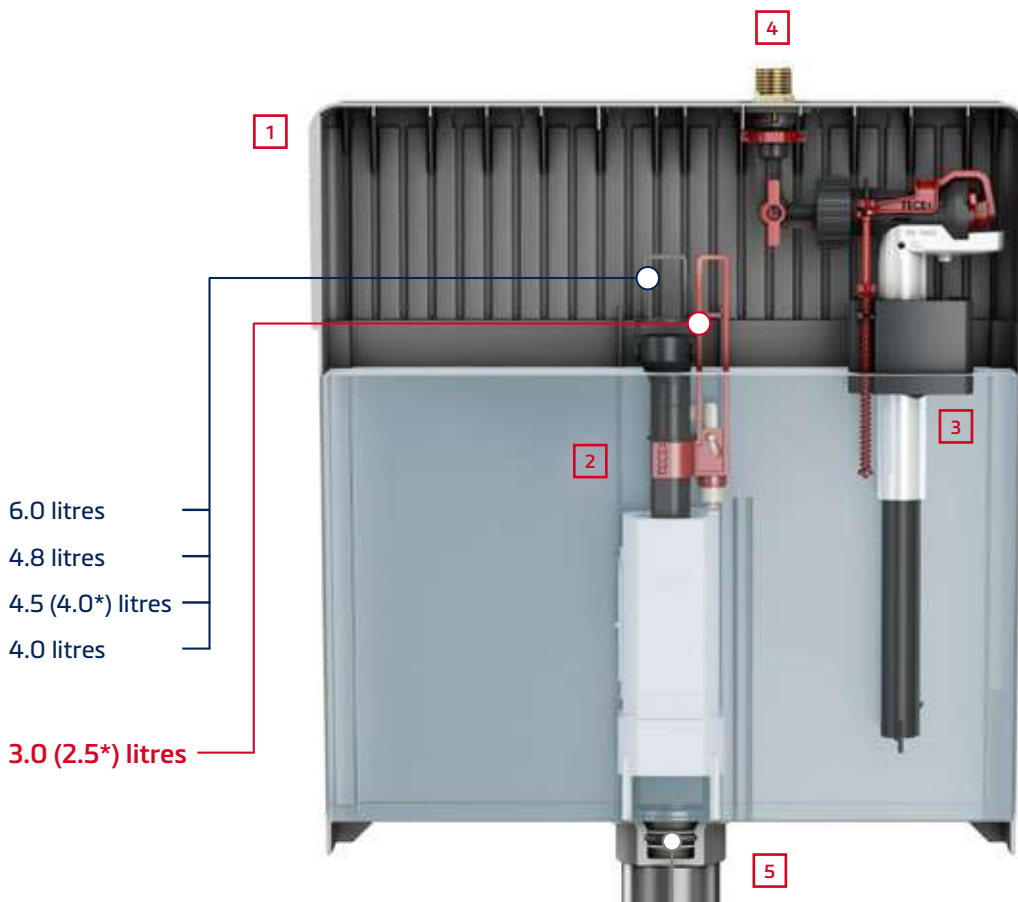
Ideal dimensions for wall-mounting

With a depth of just 85 mm, the Compact cistern has the ideal dimensions for wall-mounting. Despite this, there are no compromises on flush volumes.

Product advantages

- Variable dual-volume water-saving flush
- Hassle-free wall-mounting:
The cistern is just 85 mm deep.
- Easy to install, secure connection technology
- Simple maintenance
- For installation in any location
- Wide range of matching flush plates

Compact, adaptable, economical.



The TECE filling valve F 10 complies with the sound protection requirements of acoustic group I and fills the cistern very quietly. The water level in the cistern can be easily adjusted using the filling valve spindle.

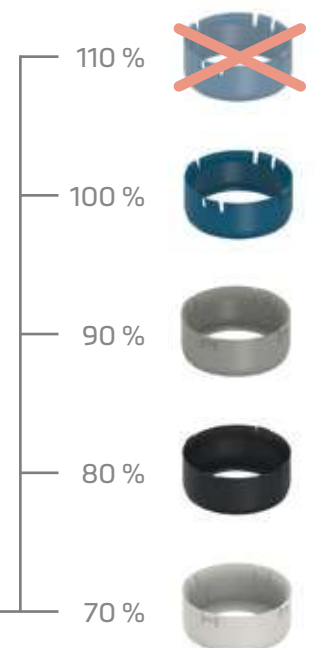


Quiet

- 1 The compact housing is very resilient, even for everyday harsh building site conditions
- 2 Drain valve with slide control for setting flush volume
- 3 Low-noise hydraulic filling valve
- 4 Plug-in water connection with 1/2" OT
- 5 Throttle set for individual adjustment of the flushing pressure

Genuine water-saving flush thanks to the dual-flush system:

Despite its compact dimensions, the cistern has a capacity of 6.5 litres. Its variable dual-flush technology allows the flush volume to be adapted perfectly to different circumstances. A small flush volume helps save water, while a large flush volume helps stop old drain pipes from being blocked.



Reduce or increase flushing pressure

The throttle set allows the flushing pressure to be adapted perfectly to any toilet ceramics. Unlike ordinary cisterns, the flushing pressure cannot only be subsequently reduced, but can even be increased by removing the throttle ring. This is necessary if the toilet ceramic is not properly rinsed by the normal flushing pressure.



Ecological



Water-saving



Adjust flush volumes

A slide control on the drain valve lets you adjust the large flush volume.
The low flush volume of 3 litres always remains constant.

A combination of smaller and larger flush volumes of 2.5 / 4.0 litres* is also possible. To set this up, the large flush volume must be set to 4.5 litres and the lower water mark level on the drain valve must be reduced. This allows you to save more water and in doing so protect the environment.

*More information available from your local TECE advisor.

Installation and Assembly

The Compact cistern is available separately, as a brick-wall box or as a dry-wall module. Depending on your requirements or the structural conditions, it can be installed in or in front of a solid wall, in a metal post-and-beam wall or in the corner of a room to save space. All toilet modules from TECE are durable up to 400 kg.

TECEbox Compact cistern for standing toilet, installation height 1061 mm

Brick-wall cistern for mounting in or in front of a solid wall.

Order No. 9570001

₹

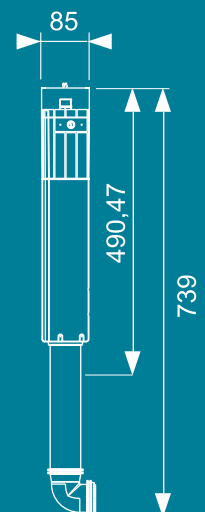
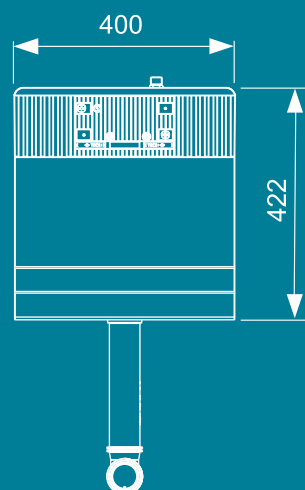
1



2



- 1 Compact cistern installation in a solid wall
- 2 Compact cistern installation in front of a solid wall



TECEbox toilet module with Compact cistern for wall toilet, installation height 1061 mm

for installation in a brick pre-wall or in front of a solid wall.

Order No. 9570000

₹



Up to 400 kg



- 1 Installation in a solid wall
- 2 Installation in front of a solid wall

*GST extra

TECEconstruct toilet module with Compact cistern, dry-wall module, installation height 1061 mm Toilet module for installation in metal or wooden post-and-beam walls and as a pre-wall or corner module; also suitable for single-block assembly.

Order No. 9500100

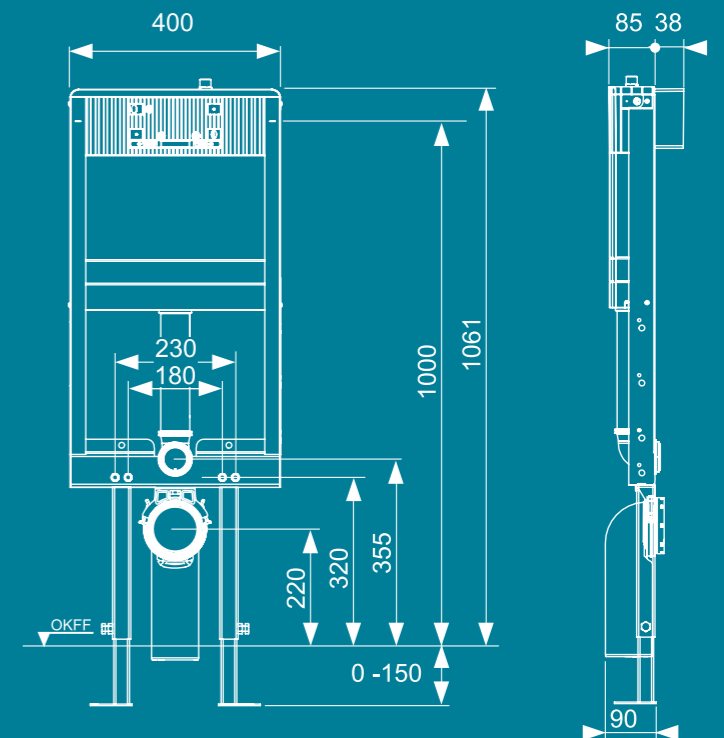
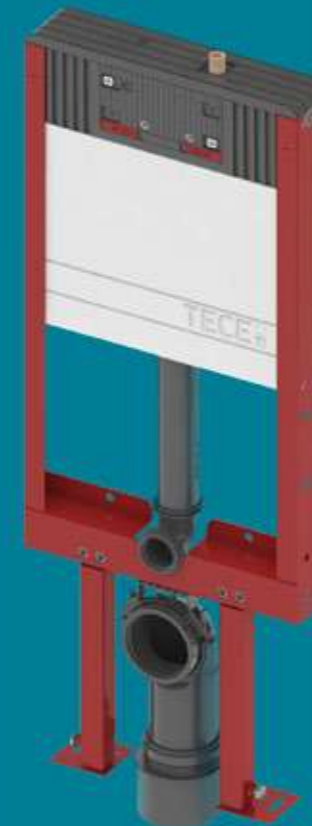
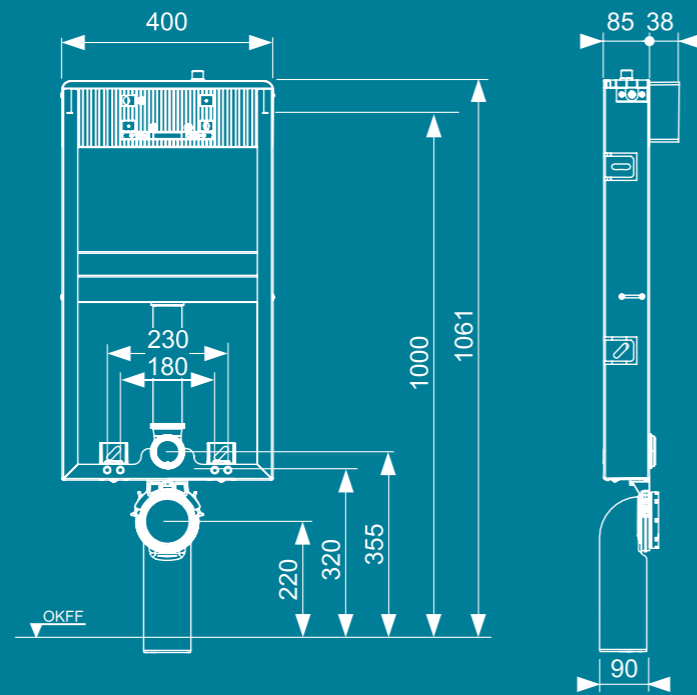


Up to 400 kg



- 1 Installation in front of a solid wall
- 2 Installation in a corner
- 3 Installation in a metal post-and beam partition wall

*GST extra



25 YEAR
spare parts availability*



All the components required for assembly are safely stored in the bare-wall protection system.

Very simple installation and assembly

The TECE cistern operates easily and reliably at all times. But even the best cisterns have to be serviced sometimes. In this case all the components can be quickly and easily removed and re-installed.



2



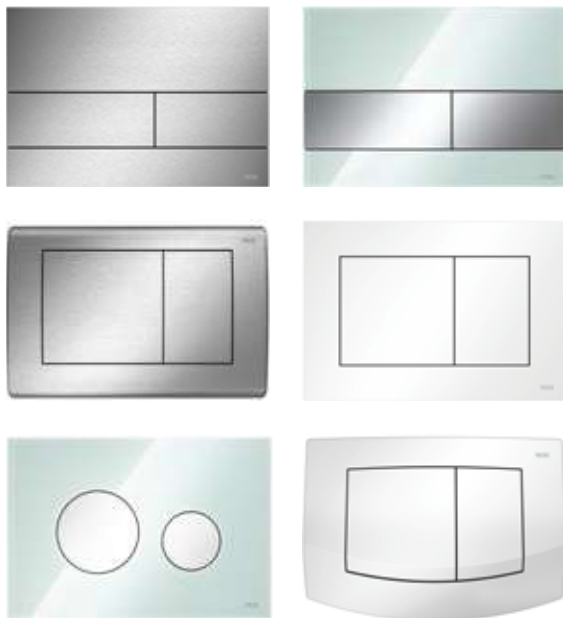
Easy assembly

4

- 1 Insert water supply into the lid of the cistern and click into place.
- 2 Insert stop valve and fix with a clip.
- 3 Screw filling valve and stop valve together.
- 4 Insert actuation mechanism into the cistern, finished!

*TECE confirms that you can purchase spare parts for continued functionality of a TECE concealed cistern up to 25 years from the manufacturer's date of sale.

There's a system
behind it – flushing
technology from TECE.



A wide range of flush plates are available for the Compact cisterns

With fronts made of glass, stainless steel or plastic in different designs and colours, the TECE push plates stand out in high-quality bathrooms as well as in the low-budget sectors.



*For MTNL / BSNL Lines

TECE INDIA Pvt. Ltd.
T +91 22 21 67 67 67
info@tece.in
www.tece.in

TECE GmbH
T +49 25 72 / 9 28 - 999
info@tece.de
www.tece.com

For more information, go to
www.tece.in



TIPLCP210618